



TOUCHSCREEN-CONTROL

The ATM touchscreen surface allows intuitive operation even with gloves. Up to 200 programs with all parameters can be stored and protected with password (incl. labelling field).

POLISHING AND ETCHING UNIT

The chemical resistant coated stainless steel housing has a large polishing table and can also be used separated from the control unit, e.g. in a lab-fume cabinet.



Kristall 680

The KRISTALL 680 is a fully automatic electrolytic polisher and etcher with intuitive touch-screen operation. Polishing and etching unit and control unit are separated, also the Kristall 680 can be used in the lab fume cabinet. A scan function displays the current voltage curve of a material and provides polishing results

quickly without structural changes. Handling of the polishing and etching unit was facilitated significantly by the interchangeable 1 Ltr. electrolytic tanks. Different electrolytes can be changed and easily stored with lid.

The unit is cleaned with water by a washing program.

BASIC MODULE

KRISTALL 680 CONTROL UNIT



Order No.: M6202000

- » intuitive operation via ATM Touchscreen surface, even with gloves
- » up to 200 programs with all parameters storable, protected per password (incl. free labelling field)
- » current & voltage diagram in real time
- » scan function for displaying a current-voltage characteristic graph
- » USB interface for creating program backup
- » media preparation for connecting a polishing & etching unit and an external etching unit (optional: connection for 2nd polishing & etching unit)
- » variable output voltage and process duration
- » automatic cooling control for mains water or recooling (current supply via Kristall 680)
- » Aluminium housing, powder-coated
- » e-lab ready



EQUIPMENT

POWER SUPPLY

Equipment 1

230 V/50 Hz (1Ph/N/PE)

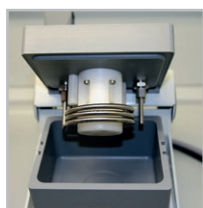
Order No.: A6202000

Equipment 2

110 V/60 Hz (1Ph/N/PE)

Order No.: A6202001

POLISHING & ETCHING UNITS

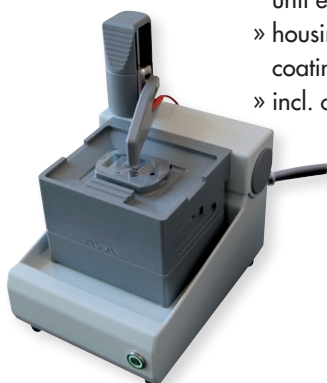


Equipment 1

Polishing & etching unit

Order No.: A6202003

- » large polishing table incl. set of masks (5 pcs.)
- » touch-free pump drive (magnetic clutch)
- » stainless steel start button with integrated LED status display
- » exchangeable 1 ltr. electrolyte tank made from chemical-resistant plastic (incl. lid)
- » max. standard sample height 50mm (higher samples with ext. anode via magnetic or croc. clips)
- » polishing & etching unit can be operated separately from control unit e.g. in lab fume cabine
- » housing made from rust-free stainless steel (chemical-resistant coating) with drip tray
- » incl. connection set (electricity/water)



Equipment 2

External etching unit

Order No.: A6202004

- » etching beaker made from stainless steel
- » volume 1200 ml



Automatic drive	0–60 V
ØxH approx.	120 x 120 mm
Weight approx.	0.5 kg

OPTION

SECOND POLISHING & ETCHING UNIT KRISTALL 680

- » extension for connection of second etching/polishing unit

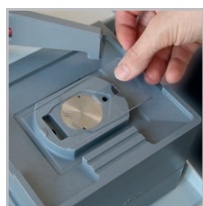
Order No.: A6202005

ACCESSORIES

SET OF MASKS (5 PCS.)

Order No.: Z6202001

- » 0.5/1.5/2.5/5 cm²/blind mask



ACCESSORIES

ELECTROLYTE VESSEL

Order No.: Z6202002

- » volume 1 Ltr.
- » incl. cover
- » made from chemical-resistant plastic

**CONNECTION SET KRISTALL 680**

Order No.: Z6202003

2x presson tubes R 1/2"; 2 m

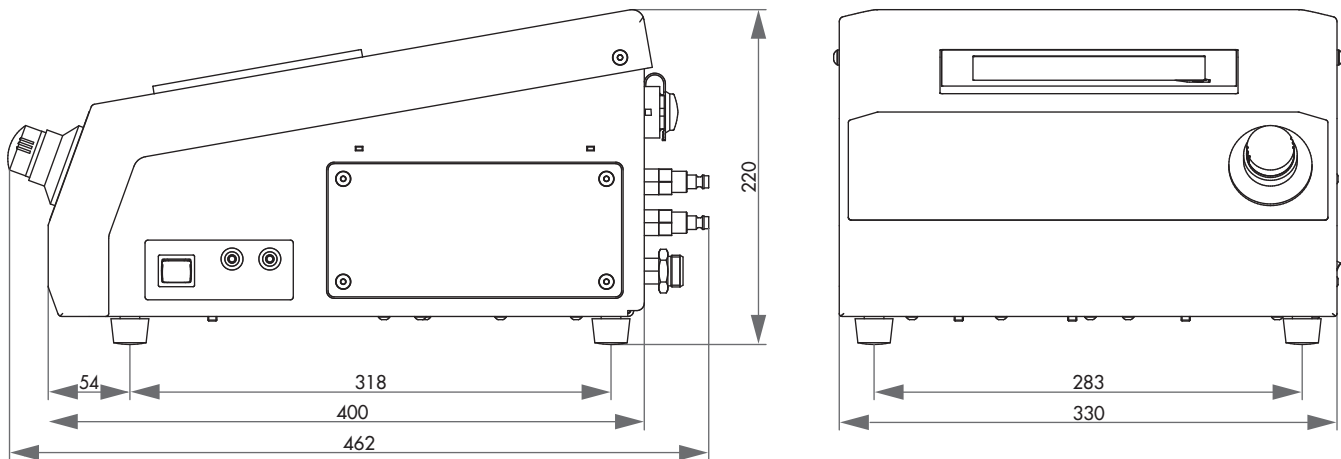
SPECIFICATIONS

CONTROL UNIT

Connected load	2 kVA	
Power supply	1	220-240 V / 50/60 Hz (1Ph/N/PE)
	2	110-120 V / 50/60 Hz (1Ph/N/PE)

Current	0-14 A
Working voltage	0-90 V \pm 0.1V regulated

WxHxD approx.	330 x 220 x 400 mm
Weight approx.	7 kg



SPECIFICATIONS

POLISHING & ETCHING UNIT

Polishing duration	1 sec.- 25 min.
Etching duration	1 sec.- 5 min.
Automatic drive	0-90 V
Polishing desk appr.	16 x 15 cm
WxHxD approx.	216 x 320 x 280 cm
Weight approx.	4 kg

